

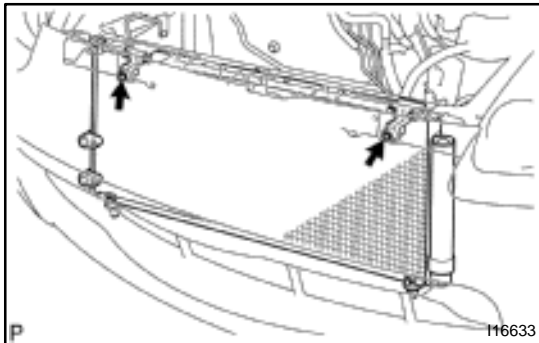
INSTALLATION

1. INSTALL CONDENSER

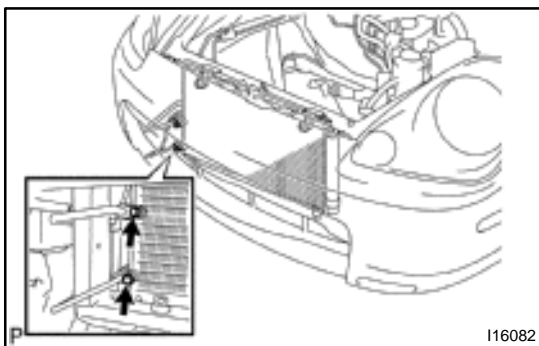
- (a) As shown in the illustration, tilt the condenser and insert the half of it.
- (b) At the time when the half of the condenser is inserted, turn it.
- (c) Place the condenser in the front of the radiator temporarily.

NOTICE:

Be careful not to damage the condenser and radiator.



- (d) Install the condenser with the 2 bolts.
Torque: 8.8 N·m (90 kgf·cm, 78 in.-lbf)



2. INSTALL LIQUID TUBE AND DISCHARGE TUBE

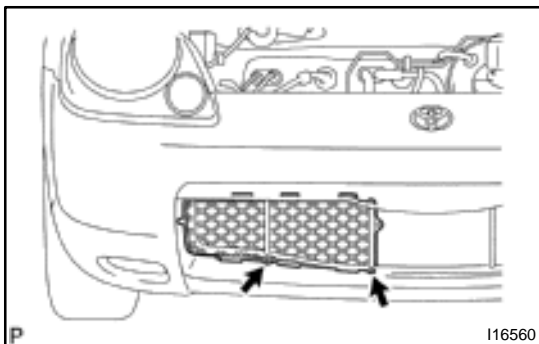
- (a) Remove the cap.
- (b) Coat 2 new O-rings with compressor oil.
- (c) Install both tubes with the 2 bolts.

Torque: 9.8 N·m (100 kgf·cm, 87 in.-lbf)

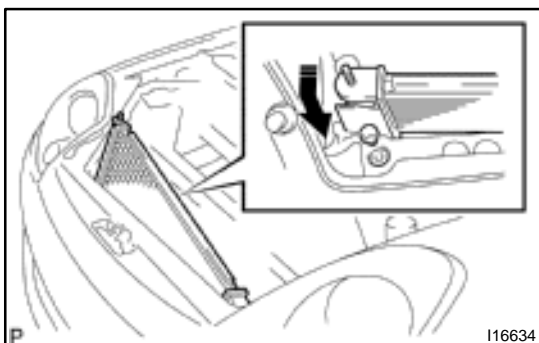
If condenser was replaced, add compressor oil to the compressor.

Add: 40 cc (1.4 fl.oz.)

Compressor oil: ND-OIL 8 or equivalent

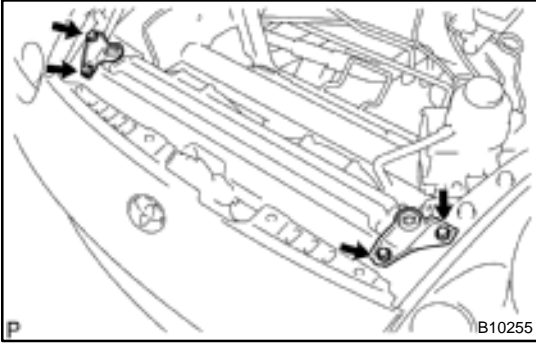


- (d) Install the RH and LH radiator grills with the 4 screws.

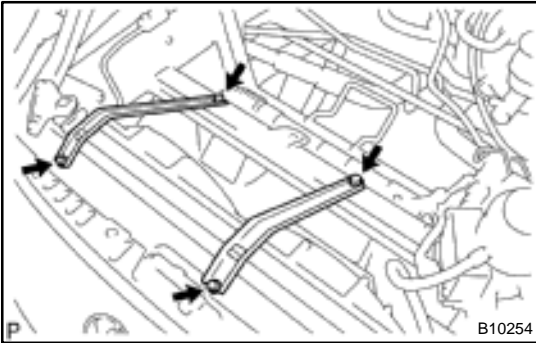


3. INSTALL RADIATOR ASSEMBLY

- (a) Pull up the radiator on right side, install the bush at the bottom side of the radiator to the existing concave, and move it forward.



- (b) Install the 2 radiator upper supports with the 4 bolts.



- (c) Install the 2 spare wheel carrier extensions with the 2 nuts and 2 bolts.

Torque: 8 N·m (82 kgf·cm, 70 in.-lbf)

4. CHARGE REFRIGERANT TO REFRIGERATION SYSTEM

- (a) Evacuate air from the refrigeration system.
 (b) Charge system with refrigerant and inspect for leakage of refrigerant.

Specified amount: 500 ± 30 g (17.64 ± 1.06 oz.)

5. INSTALL TOOL BOX ASSEMBLY AND LUGGAGE COMPARTMENT TRIM BOX COVER